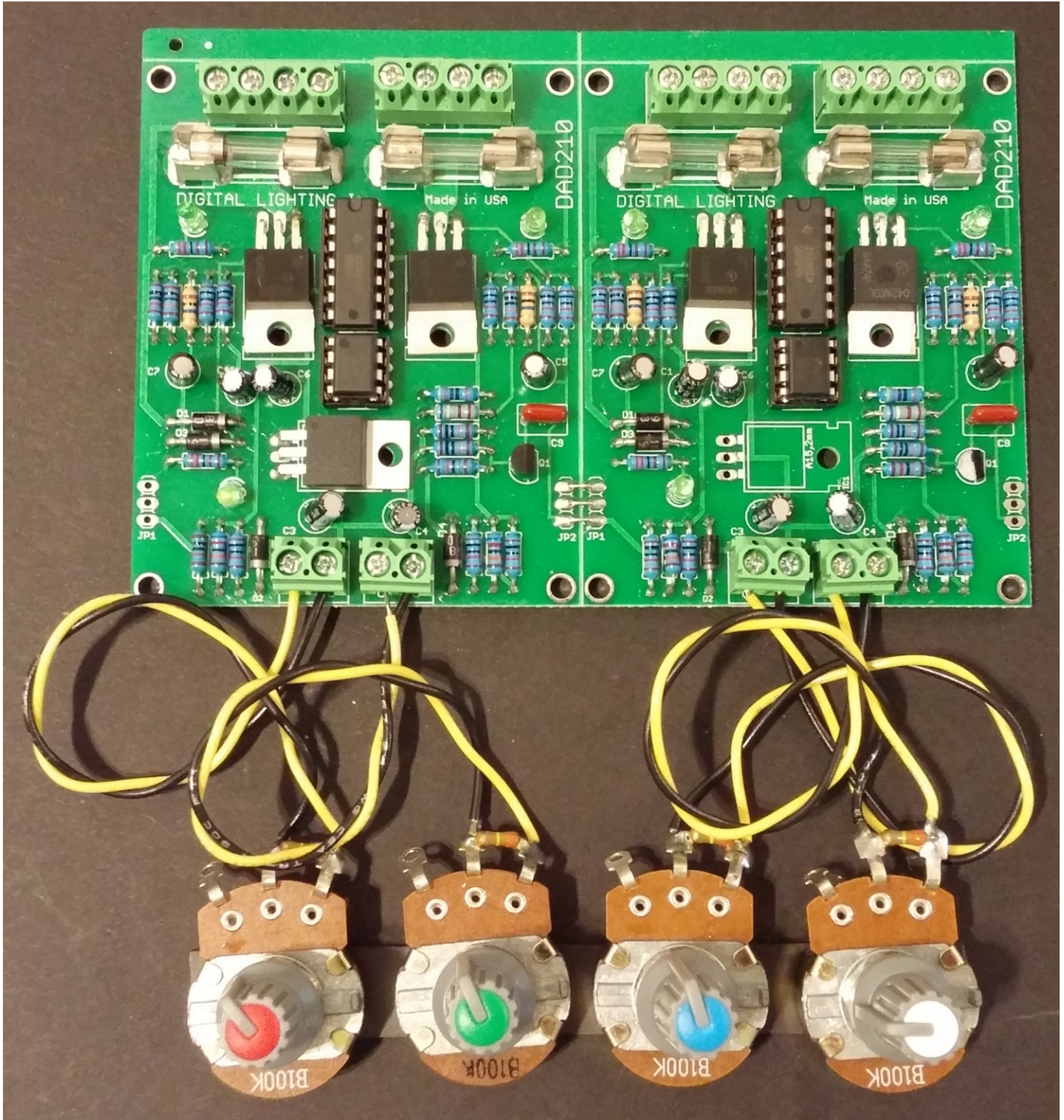




## Red, Green, Blue, White

4 color dimmer  
0-10 V analog control

Made in USA





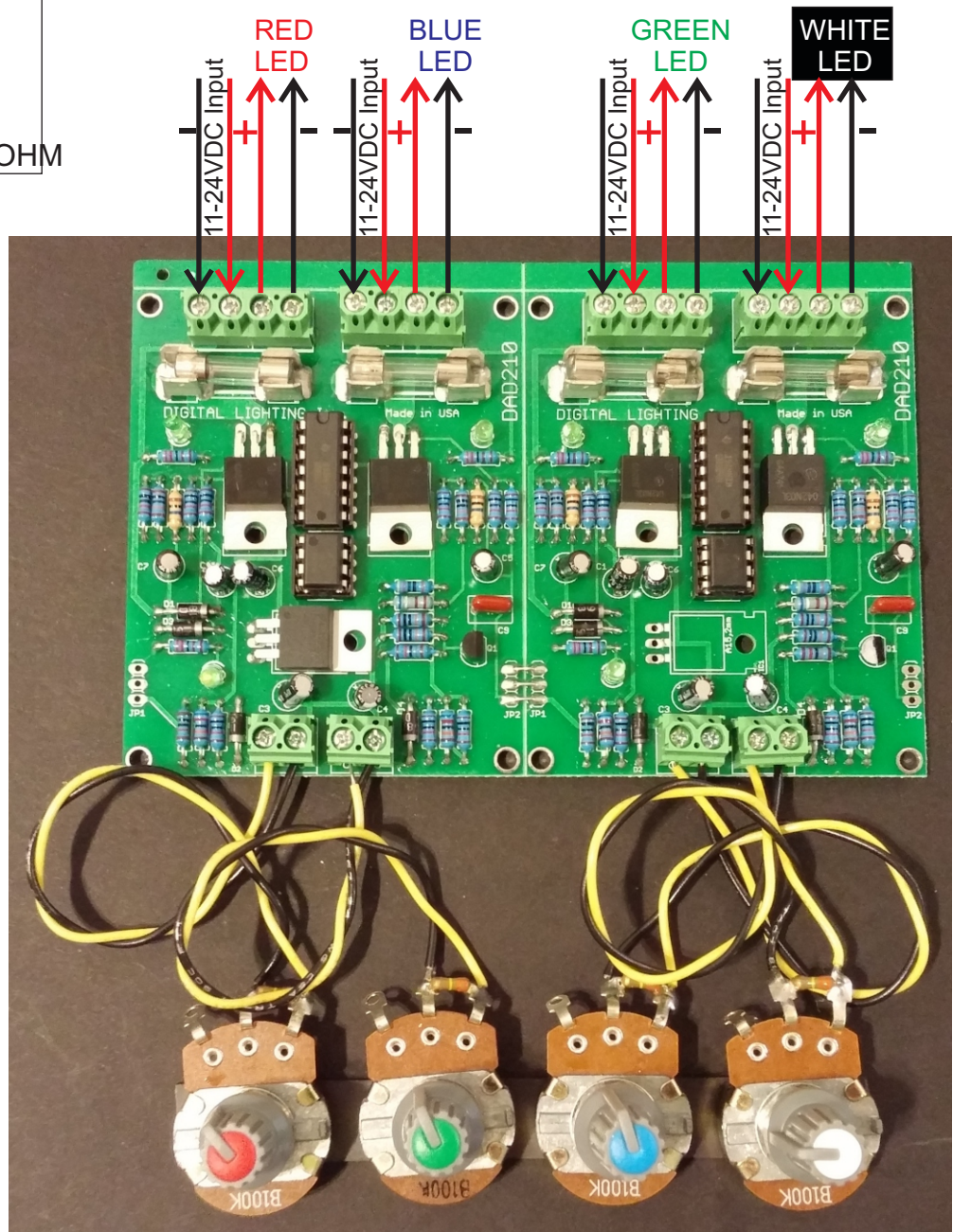
## Specifications:

Operating Voltage:  
12 VDC to 24 VDC  
Inputs: 4 x 10 A max;  
Outputs: 4 x 10 A max;

Control:  
4 channel  
0-10 V analog  
OR  
potentiometer 80-100 KOHM

# Red, Green, Blue, White

4 color dimmer , 10 A. 11-24 VDC



**Made in USA**