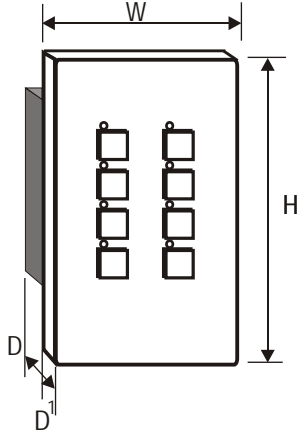


Single-Gang Patch Panels

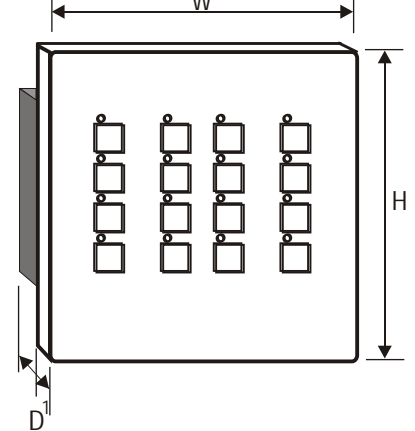


Maximum Outside Dimensions

SERIES	WIDTH	HEIGHT	DEPTH	D1	GANG
PTP-XX	2.700" 067 mm	4.500" 114 mm	1.650" 042 mm	0.25" 006 mm	Single
PTA-XX	2.700" 067 mm	4.500" 114 mm	1.650" 042 mm	0.25" 006 mm	Single
PTP-XX	4.500" 114 mm	4.500" 114 mm	1.650" 042 mm	0.25" 006 mm	Double
PTA-XX	4.500" 114 mm	4.500" 114 mm	1.650" 042 mm	0.25" 006 mm	Double

DEPTH (D) includes circuit board and components
D1 equals depth without circuit board and components

Double-Gang Patch Panels



Applications

The Protocol digital patch panels are designed for applications requiring the ability to patch control stations as room configurations change. Common applications of the Protocol digital patch panels include hotel meeting rooms, ballrooms, restaurant banquet areas or other installations that employ moveable partitions. All Protocol patch panels are thin profile and feature front covers with no visible hardware.

Functional Description

The PTP04 is a digital patch panel with a single gang faceplate that can digitally link control stations up to four partitionable rooms. The PTP12, with a double gang faceplate, can digitally link control stations up to twelve partitionable rooms. Typically, each of the rooms in these installations has the same lighting design, and it is recommended to maintain the same lighting design and control functions as the partition is removed. When rooms are combined and control stations are digitally linked, control stations in each of the combined rooms will have full control of programmed button functions. Each room may have up to three additional control stations with the same button configuration, for multi-point control within each room. The PTPxx can patch rooms in any possible combinations by simply selecting the rooms using the individual room buttons and saving the selection in nonvolatile memory with a simple push of a button.

The PTA-series patch panels are similar in functionality to the PTP-series. They feature programmable buttons that can be preset to specific room combinations. These can be programmed at the factory and later modified using the Protocol programming software to accommodate the changing requirements of the application. Users are able to combine or separate rooms by pressing a single button on the panel.

General Features

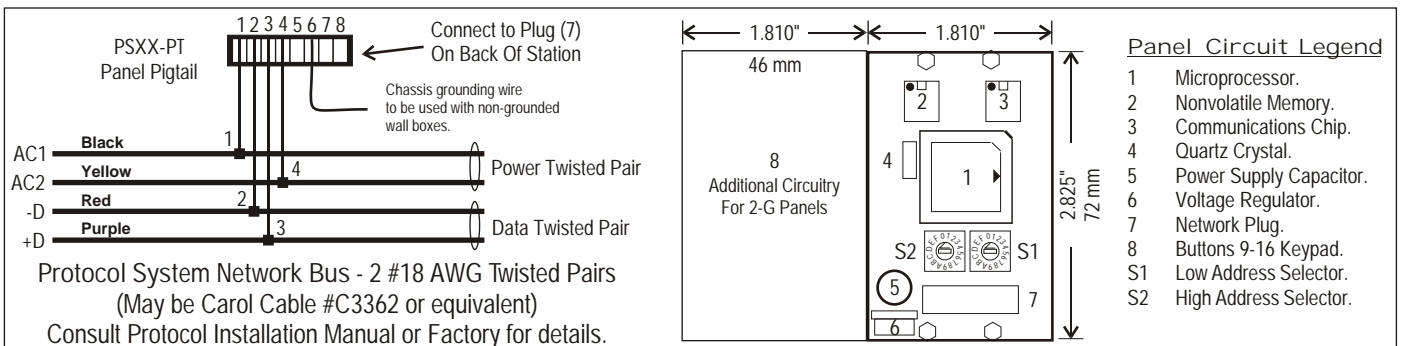
- Digital Room Patching.
- Up to 4 Rooms Using 1-G Models.
- Up to 12 Rooms Using 2-G Models.
- All Possible Room Combinations.
- Multi-Point (Up to 7 Panels Per System)
- Simple 4-Wire Connection, Anywhere On The System Network Bus.
- Preset Combinations (PTA-Series)

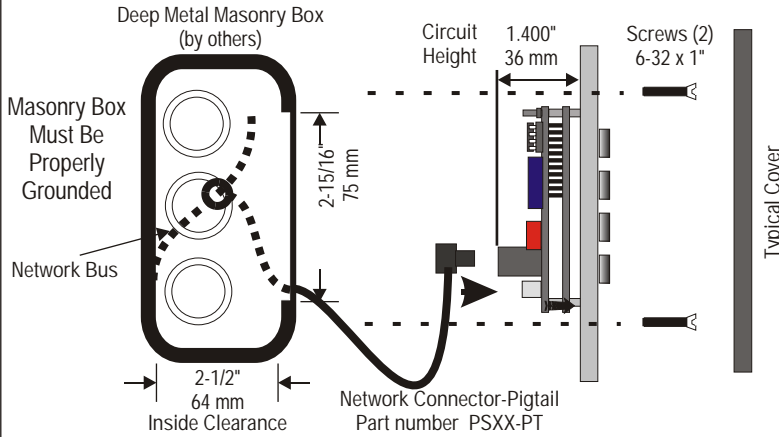
Software Diagnostics

- Auto Detect Panel.
- Send ID and Code Version.
- Check Panel.
- View/ Modify/ Save Settings.
- View Current Room Partition
- Default To Factory Settings.
- Soft Reset.
- Flash Panel LED's.
- Download Configuration File.

Physical and Electrical Specifications

Back Plate: Metal Construction.
Dimensions: See Table Above.
Power: Max. 80 mA at 10 VAC-50/60 Hz.
Data Input: RS485 Compliant.
Data Output: RS485 Compliant.
Data Format: Proprietary.
Data Retention: 10 years, no batteries required.
ESD Protection: 15 KV on data input and output.
Network Port: 0.1" c-c, 8 Position, Male Header.

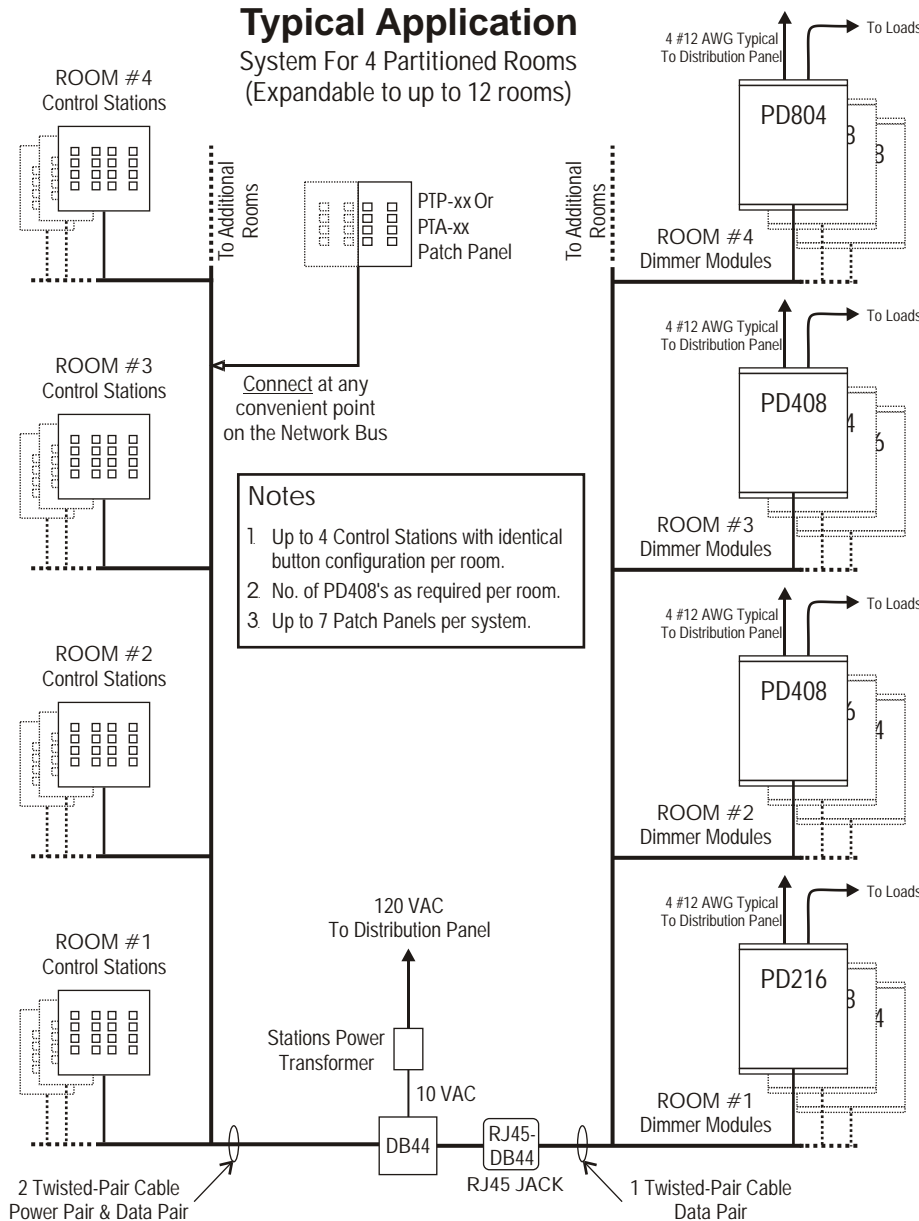




Mounting requirements

- The PTX-XX Patch panels with 8 buttons or less mount in single gang deep masonry boxes. Panels with 9 buttons or more require double gang boxes.
- Both types of boxes must have a minimum depth of 2-1/2" and a minimum inside height of 2-15/16" to allow clearance for printed circuit board.
- Station chassis must be Grounded for ESD protection.
- Masonry boxes to be supplied by others.
- Refer to the Protocol Hardware Installation

Typical Application
System For 4 Partitioned Rooms
(Expandable to up to 12 rooms)



Patch Panel Selections

Combines/Separates Up to 12 Rooms, In Any Arrangement

PTP-12

	ROOMS		
View Prog	<input type="checkbox"/> 1	<input type="checkbox"/> 5	<input type="checkbox"/> 9
NEXT	<input type="checkbox"/> 2	<input type="checkbox"/> 6	<input type="checkbox"/> 10
PREV	<input type="checkbox"/> 3	<input type="checkbox"/> 7	<input type="checkbox"/> 11
DEL	<input type="checkbox"/> 4	<input type="checkbox"/> 8	<input type="checkbox"/> 12

PTP-04

	ROOMS
View Prog	<input type="checkbox"/> 1
NEXT	<input type="checkbox"/> 2
PREV	<input type="checkbox"/> 3
DEL	<input type="checkbox"/> 4

Combines/Separates Up to 4 Rooms In Any Arrangement

<input type="checkbox"/> 1,2	<input type="checkbox"/>
<input type="checkbox"/> 3,4	<input type="checkbox"/>
<input type="checkbox"/> 2,3	<input type="checkbox"/>
<input type="checkbox"/> 1,2	<input type="checkbox"/>
<input type="checkbox"/> 3,4	<input type="checkbox"/>

Combines/Separates Preset Arrangements Up to 16 w/2-G Cover

PTA-08

- Consult User's Manual For Operating Instructions.
- Consult Protocol Price List For Ordering Information.