

Digital Lighting systems, Inc.

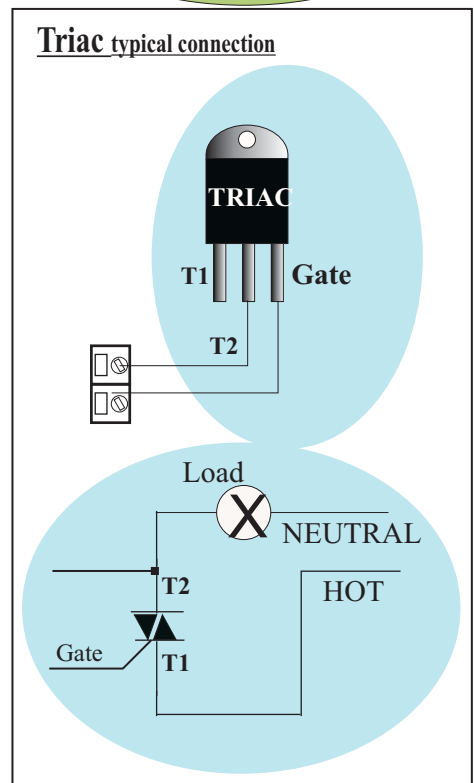
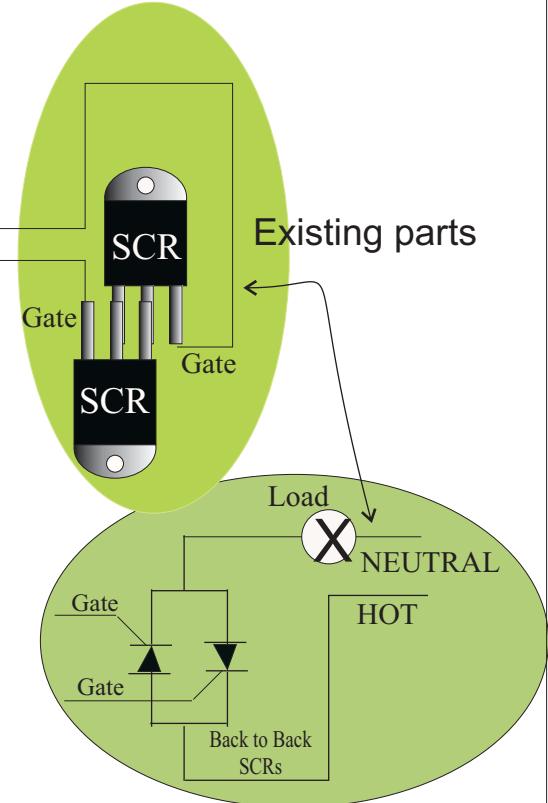
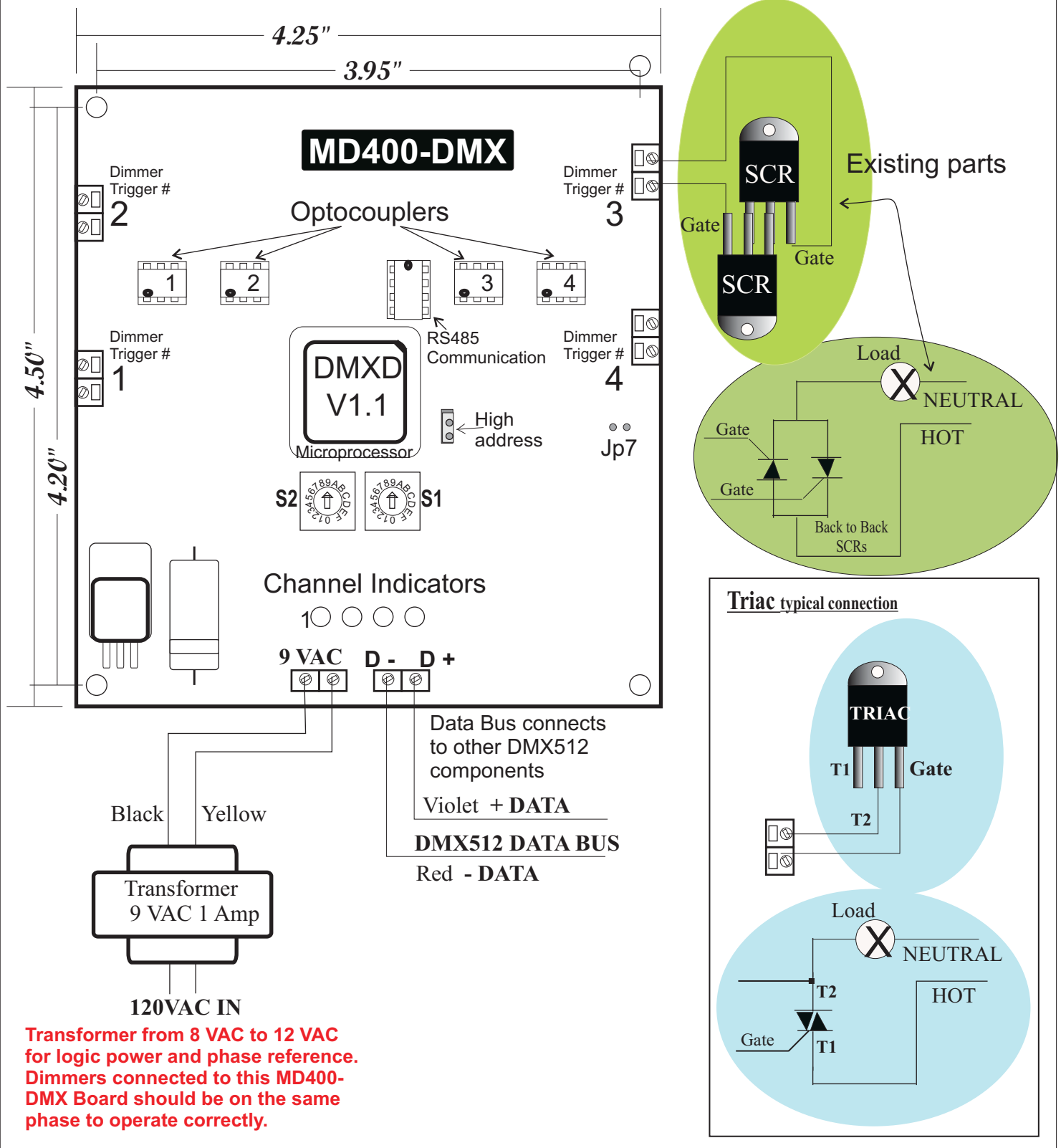
www.digitallighting.com



MD400-DMX

DMX512 interface
4 SCR/Triac firing board

The MD400-DMX-DMX can control up to 4 Dimmers on the same phase. This Firing board is compatible with DMX512 controllers and dimming systems and equivalent to 4 dimmers.



Transformer from 8 VAC to 12 VAC for logic power and phase reference. Dimmers connected to this MD400-DMX Board should be on the same phase to operate correctly.