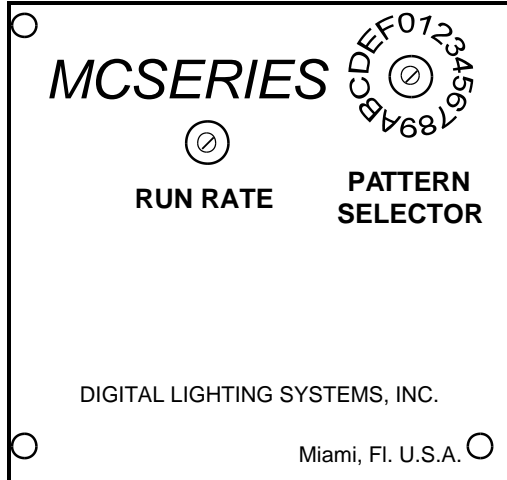




DIGITAL
LIGHTING
SYSTEMS

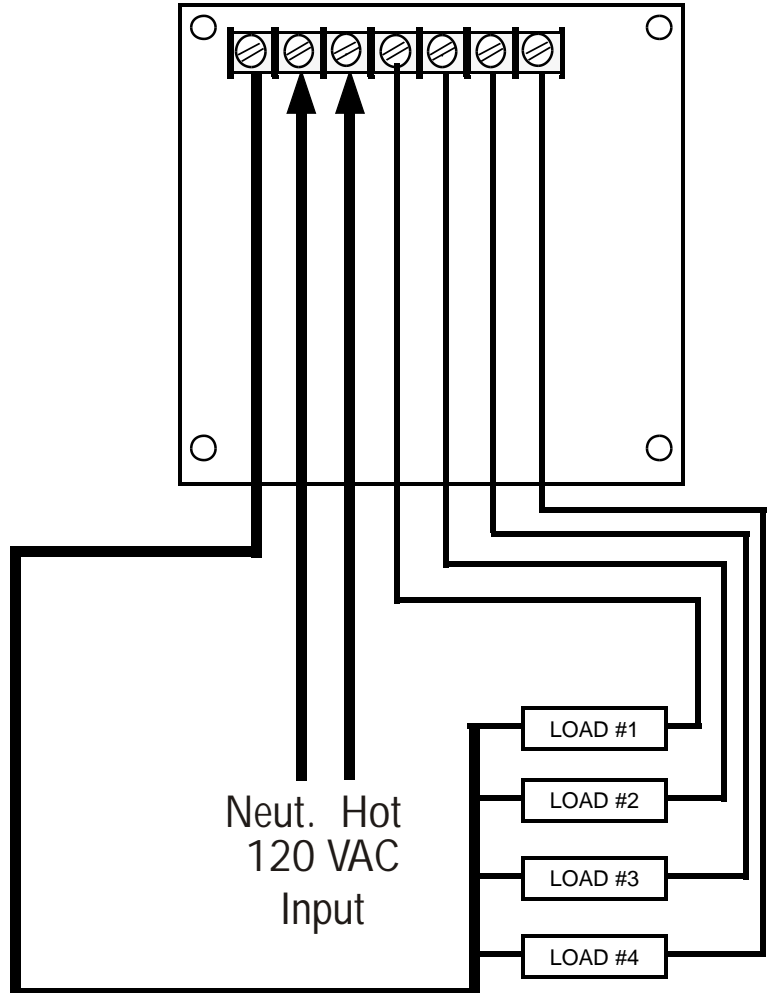
MC120 INSTALLATION INSTRUCTIONS

120 VAC



TERMINAL STRIP

C N H 1 2 3 4



GENERAL SPECIFICATIONS

INPUT SPECIFICATIONS:

110-120 VAC ONLY.

MAXIMUM LOAD PER OUTPUT:

MC120: 2.5 Amps. (4 x 300W)

(MC120-1P 7.0 Amps.)

INTERNAL FUSE RATING:

Maximum 10 Amps/ @ Min. 125 VAC.

ENCLOSURE SIZE:

4.5" x 4.5" x 2.5" Aluminum Enclosure
Covers a Standard 1900 Box.

Terminal Strip Legend

C Common Out.
N Neutral Input.
H Hot Input.
1-4 Outputs 1 to 4.

CAUTION

- 1 This unit must be installed by qualified personnel in accordance with NEC and all local Codes.
- 2 All connections must be made with suitable size copper conductor wires with 90°C wire insulation.
- 3 Terminal strip connections must be well tightened.

DIGITAL LIGHTING SYSTEMS, INC.

7588 NW 8th Street, Miami, Fl. 33126, Ph: (305) 264 -8391

**MC120 Four-Channel Multi-Pattern Chaser
WIRING DIAGRAM FOR 120 VAC**

Date: 11-25-02 | Drawing#: MC120WRG | Page: 1

www.digitallighting.com