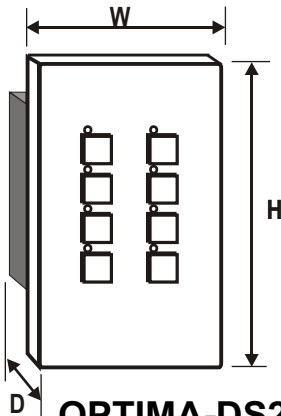
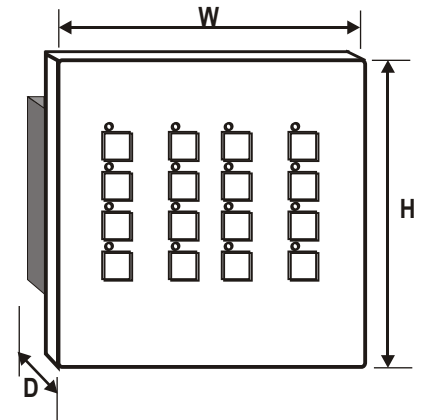


Single-Gang Models



**OPTIMA-DS2**  
**OPTIMA-DS2-C**

Double-Gang Models



**OPTIMA-DS**

Maximum Outside Dimensions

MODEL	WIDTH	HEIGHT	DEPTH	GANG
OPTIMA-DS2	2.700"	4.600"	1.650"	Single
OPTIMA-DS2-C	067 mm	117 mm	042 mm	
OPTIMA-DS	4.600"	4.600"	1.650"	Double
	117 mm	117 mm	042 mm	

DEPTH (D) includes circuit board with components

**Introduction**

The **OPTIMA-DS** is a four-channel 16-pattern lighting cross-fader with master and individual channel dimming. Controls for adjusting the off-level and fade rate are also standard on the unit. This new design employs the latest electronic technology and presents a control panel with a sleek modern look and simple to use controls. **OPTIMA-DS** controllers use a standard **DMX-512** output. This important feature eliminates electrical phase restrictions and substantially increases the load capacity of the **OPTIMA-DS**. When in dynamic mode, the **OPTIMA-DS** creates dazzling light shows from its built-in repertoire of lighting animation sequences; whilst in static mode, the unit acts as a four-circuit dimmer with a black-out control. The **OPTIMA-DS** can also work in a traditional chase mode. In short, whether your lighting project requires sharp light sequencing or a more subtle cross-fade mixing of colors, the **OPTIMA-DS** provides you with a perfect solution. The **DMX-512** compatibility makes the **OPTIMA-DS** a perfect and inexpensive solution for retrofit applications by working with any existing DMX-512 dimmers. The **OPTIMA-DS2** models do not have individual channel dimmers and mount in a single-gang masonry box. The **OPTIMA-DS** requires a double-gang masonry box.

**OPTIMA-DS Features**

- ◆ Economical.
- ◆ 4-Color / 4-Channel Sequencing.
- ◆ 16 Exciting Light / Color Patterns.
- ◆ Cross-Fade and Chase Modes.
- ◆ Static 4-Ch. Dimmer Mode with Master.
- ◆ Automatic Pattern Change Mode.
- ◆ Single Pattern Select Mode.
- ◆ Independently Adjustable Chase Rate.
- ◆ Independently Adjustable Fade Rate.
- ◆ Blackout Switch.
- ◆ Master Off-Level Adjustment.
- ◆ Settings are saved in Nonvolatile Memory.
- ◆ Simple Pushbutton Operation.
- ◆ LED Mode Indicators.
- ◆ Custom Patterns Available.
- ◆ Adjustable for **3, 4, 5, 6, 7 & 8 Channels**.

**Applications**

- Architectural & Decorative Lighting.
- Landscape Lighting.
- Structure Lighting.
- Pond and Fountain Lighting.
- Museums and Art Galleries.
- Movie Theaters.
- Theme Parks.
- Fair Rides.
- Point of Sale Displays.
- Christmas Trees and Displays.
- Electric Sign Animation.
- Entertainment and Club Lighting.

**Physical and Electrical Specifications**

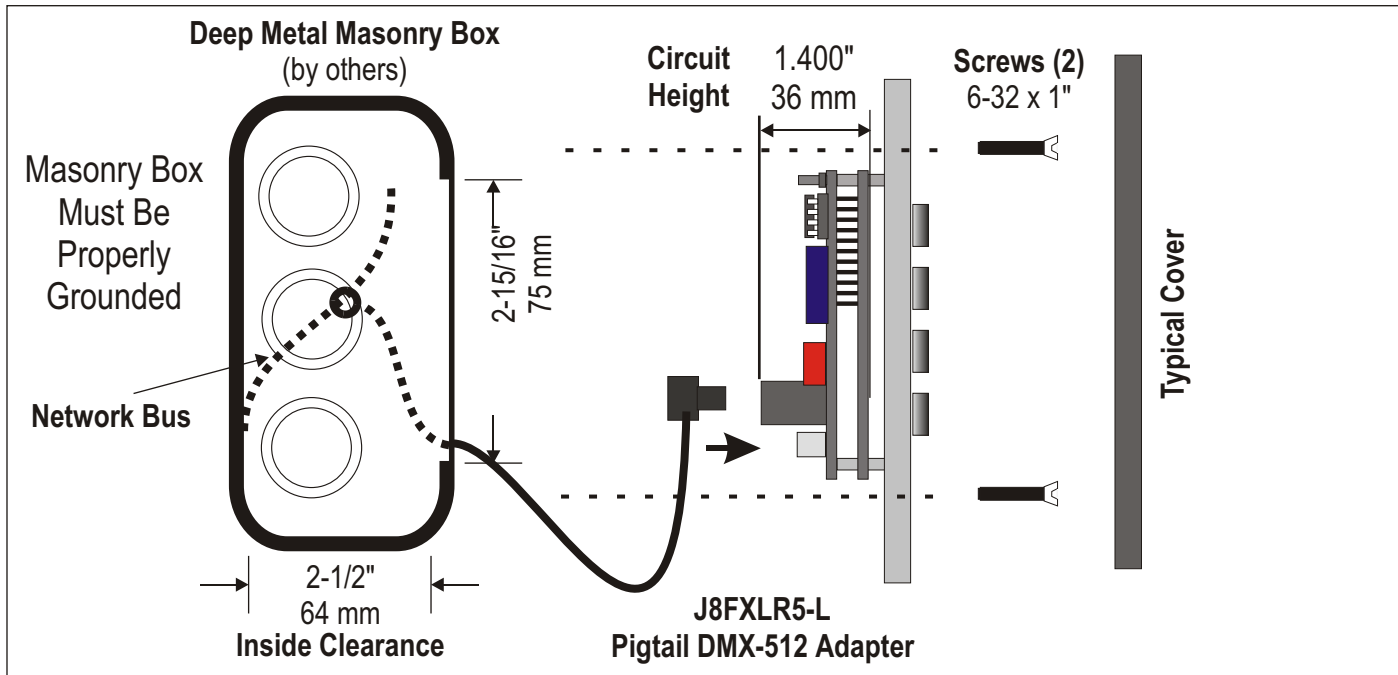
Back Plate:	Metal Construction.
Dimensions:	See Table Above.
Power:	Max. 80 mA at 10 VAC-50/60 Hz.
Data Output:	RS485 Compliant.
Output Drive:	<b>256 1/8 DMX Loads.</b>
Data Format:	Standard DMX-512 Protocol.
Data Retention:	10 years, no batteries required.
ESD Protection:	15 KV on data input and output.
DS Port:	Standard 5-pin XLR Female.
DS2 Port:	0.1" c-c, 8 Position Male Header. Available with pigtail DMX-512 Adapter.

**DS2 and DS2-C units**

Same features as **DS** except no individual channel dimming. They mount in a single-gang masonry box. **DS2-C** is a chase only version with no fade option.

**DIMMER PACKS**

The **OPTIMA-DS** requires an external dimmer pack with a DMX cable. Any DMX-512 compatible dimmer may be used. Digital Lighting Systems, Inc. manufactures high quality low cost DMX-512 dimmer packs. The **PD408-DMX** is an excellent companion to the **OPTIMA-DS**. It can drive four 960 Watt 120 VAC loads at 50 and 60Hz. 12/24/220 VAC versions are available.



### Mounting requirements

- The OPTIMA DS mounts in double-gang deep masonry box or may be ordered in a table top aluminum enclosure. The Female XLR connector comes mounted on the side of the enclosure. The OPTIMA DS2 is only available for mounting in a single-gang masonry box.
- Both types of masonry boxes must have a minimum depth of 2-1/2" and a minimum inside height of 2-15/16" to allow clearance for printed circuit board. (See above illustration.)
- Use Grounded metal boxes only.
- Refer to the OPTIMA User's Manual or consult factory for more

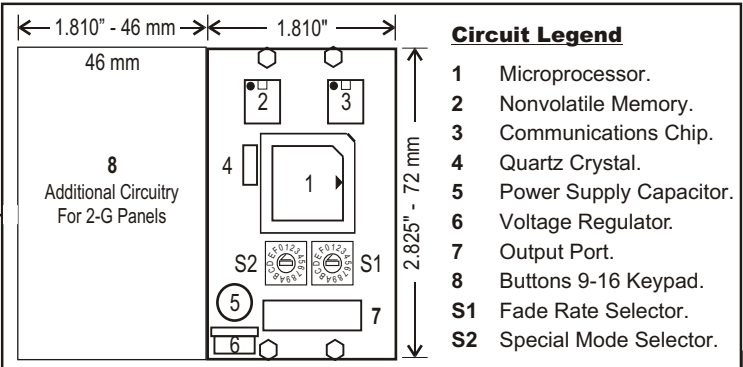
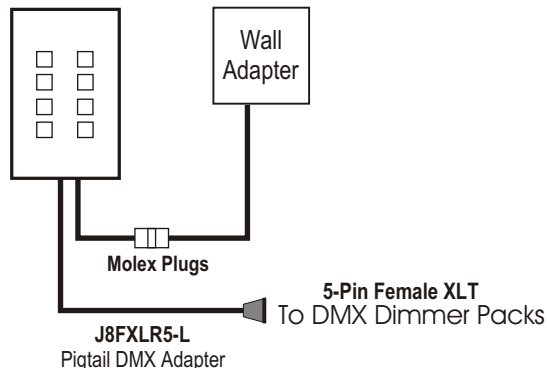
### Wiring Notes

- All wiring between the OPTIMA and dimmer packs is low voltage (NEMA Class 2) and must be a shielded twisted pair cable. Refer to the OPTIMA User's Manual for more details.
- Standard industry DMX-512 cables may be used with the OPTIMA.
- Do not run DMX cable in the same conduit with non-class 2 circuits.
- The OPTIMA is supplied with an external low voltage wall adapter.
- Power for the adapter may be on a different power phase from power supplying the DMX-512 dimmer packs or fixtures.
- Installation must conform to local and/or NEC code requirements.

### Ordering Information

- OPTIMA-DS:** Cross-Fader/Chaser/4-Channel Dimmer, 2-G size.  
**OPTIMA-AE:** Aluminum Enclosure for OPTIMA DS.  
**OPTIMA-DS2:** Cross-Fader/Chaser 1-G size.  
**OPTIMA-DS2C:** Chaser 1-G size.  
**J8FXLR5-L:** Pigtail DMX-512 XLR Adapter. L (Length in feet).

### Typical OPTIMA Installation



### J8FXLR5-L Pigtail Adapter Detail

