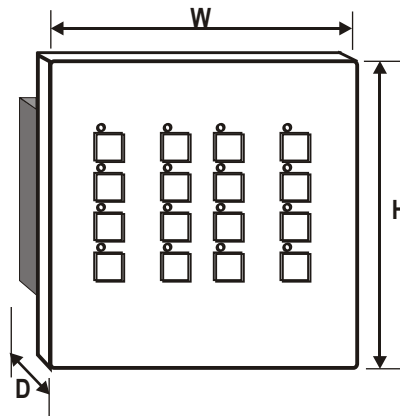
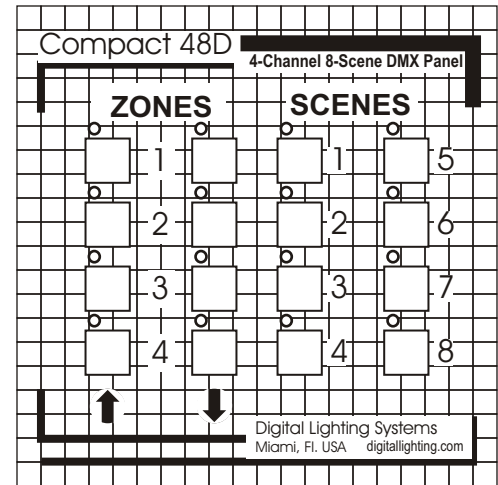


COMPACT-44D



COMPACT-48D



INTRODUCTION

The **COMPACT-44D** is a four-channel **DMX** dimmer control panel with 4 scene presets. It is designed to mount in a single-gang masonry box. Each channel has a single control button that functions as a **RAISE** and a **LOWER**, alternately. The **COMPACT-44D** features PRESET buttons for storing and recalling 4 separate lighting scenes. Preset scenes may be locked, once stored in the panel's non-volatile memory. The **COMPACT-44D** is one of the smallest and most unique 4-channel / 4-Scene **DMX** panels in the industry, requiring the same wall space as a standard wall box toggle switch. (See masonry box dimensions on page 2.)

The **COMPACT-48D** is a four-channel **DMX** dimmer control panel with 8 scene presets. It is designed to mount in a 2-gang masonry box and is also available in a table top aluminum enclosure. Each channel has a pair of control buttons, a **RAISE** and a **LOWER**, to adjust its **DMX** value. The **COMPACT-48D** features PRESET buttons for storing and recalling 8 separate lighting scenes. Preset scenes may be locked, once stored in the panel's non-volatile memory. The **COMPACT-48D** is one of the smallest and most unique 4-channel / 8-Scene **DMX** panels in the industry, requiring the same wall space as a standard heavy-duty wall box dimmer. (See masonry box dimensions on page 2.)

Fade Rate between scenes may be adjusted using a rotary selector on the back of the panels. The **COMPACT** Series is ideal for controlling the emerging new **DMX** compatible Fluorescent ballasts.

GENERAL FEATURES

- ◆ Compact Wall-Mount Panels.
- ◆ 4-Channel / 8-Scene Double-Gang Version.
- ◆ Economical.
- ◆ 4-Channel / 4-Scene Single-Gang Version.
- ◆ Simple Pushbutton Operation.
- ◆ Channel and Preset LED Indicators.
- ◆ Non-Volatile Memory Storage Of Scenes.

APPLICATIONS

- ✘ Houses Of Worship.
- ✘ Hotel Conference Rooms.
- ✘ Office Buildings.
- ✘ Schools and Universities.
- ✘ Museums and Art Galleries.
- ✘ Banquet Halls.
- ✘ Restaurants.

Physical and Electrical Specifications

Back Plate:	Metal Construction.
Dimensions:	See Table Below.
Power:	Max. 80 mA at 10 VAC-50/60 Hz.
Data Output:	RS485 Compliant.
Output Drive:	256 1/8 DMX Loads.
Data Format:	Standard DMX-512 Protocol.
Data Retention:	10 years, no batteries required.
ESD Protection:	15 KV on data input and output.

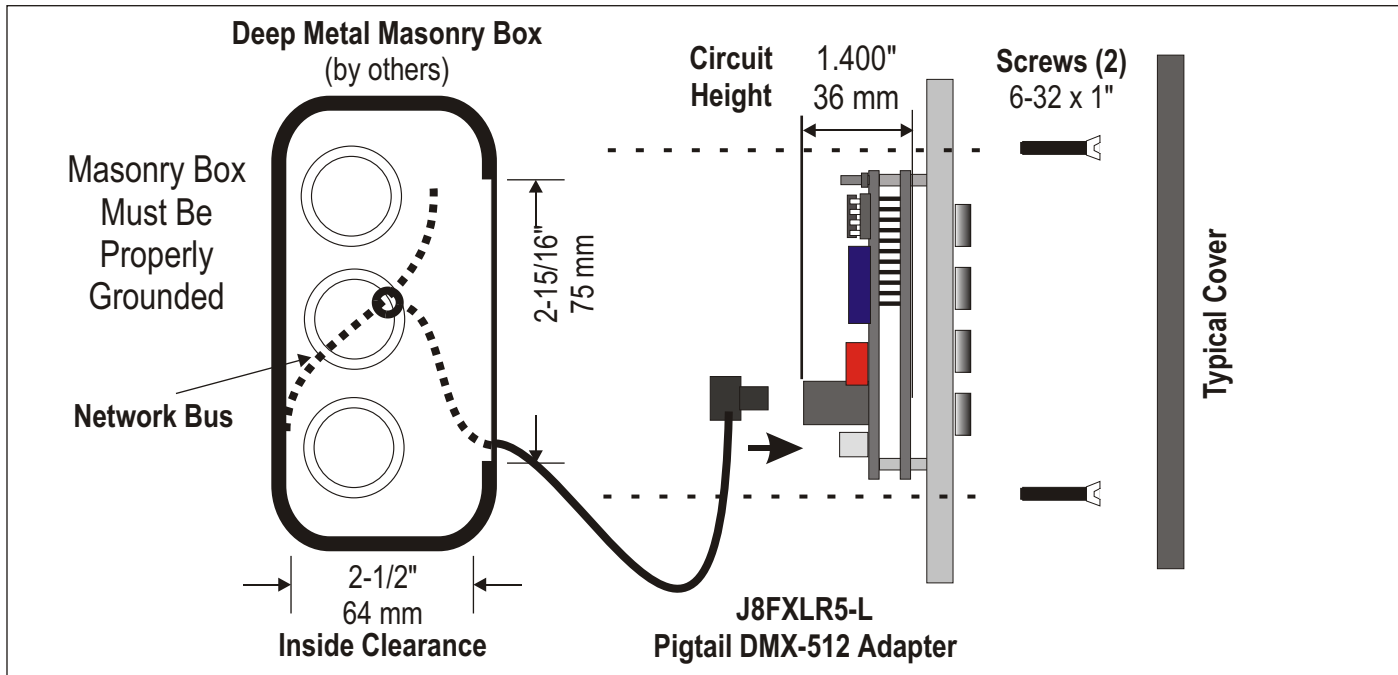
DIMMER PACKS

COMPACT Series controllers require an external dimmer pack and a DMX cable. Any DMX-512 compatible dimmer pack may be used. Digital Lighting Systems, Inc. manufactures high quality, low cost, DMX-512 dimmer packs. The **PD408-DMX** is an excellent companion to the **COMPACT** Series. It can drive four 960 Watt 120 VAC loads at 50 and 60Hz. 12/24/ 220 VAC versions are also available.

SERIES WIDTH HEIGHT DEPTH GANG

SERIES	WIDTH	HEIGHT	DEPTH	GANG
COMPACT-44D	2.800" 071 mm	4.600" 117 mm	1.650" 042 mm	Single
COMPACT-48D	4.600" 117 mm	4.600" 117 mm	1.650" 042 mm	Double
COMPACT-48D -AE	4.600" 117 mm	4.600" 117 mm	2.500" 065 mm	Double

DEPTH (D) includes circuit board with components



Mounting requirements

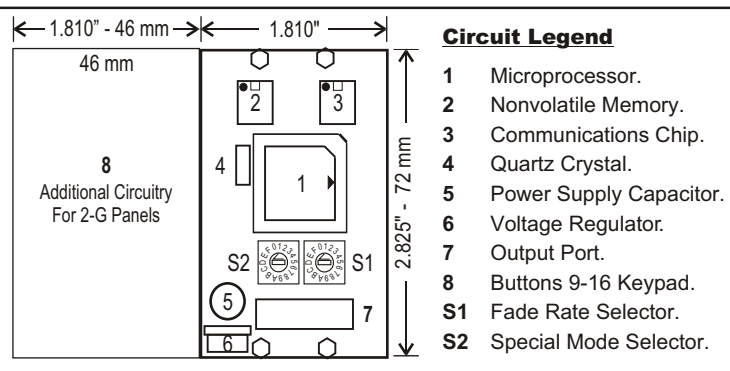
- The **COMPACT-48D** mounts in double-gang deep masonry box or may be ordered in a table top aluminum enclosure. The Female XLR connector comes mounted on the side of the enclosure. The **COMPACT-44D** mounts in a single-gang masonry box.
- Both types of masonry boxes must have a minimum depth of 2-1/2" and a minimum inside height of 2-15/16" to allow clearance for printed circuit board. (See above illustration.)
- Use Grounded metal boxes only.
- Refer to the **COMPACT Series** User Manuals or consult factory for more details.

Wiring Notes

- All wiring between the **COMPACT** panel and dimmer packs is low voltage (NEMA Class 2) and must be a shielded twisted pair cable. Refer to the **COMPACT Series** User Manuals for more details.
- Standard industry **DMX-512** cables may be used with the panel.
- Do not run DMX cable in the same conduit with non-class 2 circuits.
- The Panel is supplied with an external low voltage wall adapter.
- Power for the adapter may be on a different power phase from power supplying the **DMX-512** dimmer packs or fixtures.
- Installation must conform to local and/or NEC code requirements.

Ordering Information

- Compact-48D:** 4-Channel / 8-Scene Panel, 2-G size.
Compact-48D-AE: With Aluminum Table Top Enclosure.
Compact-44D: 4-Channel / 4-Scene Panel, 1-G size.
J8FXLR5-L: DMX-512 XLR Adapter Pigtail. (L= no. of feet).
-IR: Part No. extension for IR versions.



Typical OPTIMA Installation

